



## Sanitary sampling valve





## Technical data

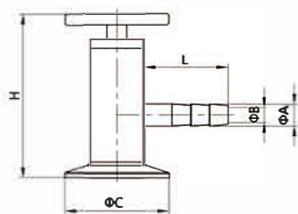
Material grade	Contact product parts	316L(1.4404)
	non-contact product parts	304(1.4301)
	Provide EN 10204 3.1B certificate	
Seal material	standard	EPDM
	option	Silicone, FPM, PTFE
	All seal materials comply with FDA 177.2600	
Temperature	Running working temperature	-20~+135°C (EPDM)
	Sterilization temperature	150°C (max20min)
Pressure	Working pressure	≈10bar
	Control air pressure	5~8bar
Roughness	Internal surface	Ra≤0.8µm
	External surface	Grit blasting
Connection	Connection method: welding, thread, clamp	





### PV1 Sampling Valve-Clamp

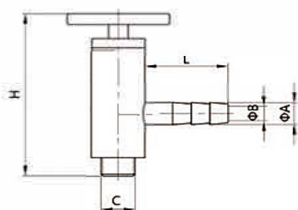
### PV1-0R2



Size	A	B	C	H	L
6-25	10	6	25.2	87	40.5
6-34	10	6	34.0	87	40.5
6-50	10	6	50.5	87	40.5
6-64	10	6	64.0	87	40.5
8-25	12	8	25.2	87	40.5
8-34	12	8	34.0	87	40.5
8-50	12	8	50.5	87	40.5
8-64	12	8	64.0	87	40.5
10-25	14	10	25.2	87	40.5
10-34	14	10	34.0	87	40.5
10-50	14	10	50.5	87	40.5
10-64	14	10	64.0	87	40.5

### PV1 Sampling Valve-Threaded

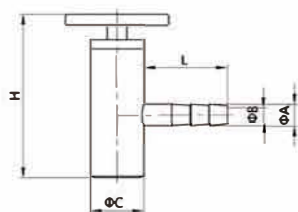
### PV1-0R1



Size	A	B	C	L	T
6-3/8"	12	8	BSP3/8	87	40.5
6-1/2"	12	8	BSP1/2	87	40.5
8-3/8"	12	8	BSP3/8	87	40.5
8-1/2"	12	8	BSP1/2	87	40.5
10-3/8"	14	10	BSP3/8	87	40.5
10-1/2"	14	10	BSP1/2	87	40.5

### PV1 Sampling Valve-Welded

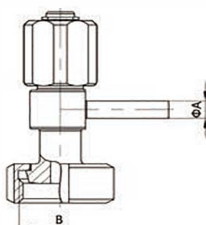
### PV1-033



Size	A	B	C	L	T
6	10	6	26	87	40.5
8	12	8	26	87	40.5
10	14	10	26	87	40.5

### PV2 Sampling Valve-Union

### PV2-036




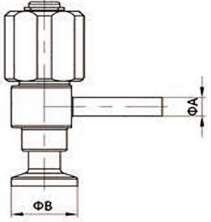
Size	A	B
6-10	8	Rd28x1/8"
6-15	8	Rd34x1/8"
6-20	8	Rd44x1/6"





### PV2 Sampling Valve-Clamp


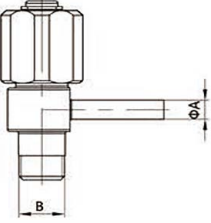
### PV2-032

Size	A	B
6-25	8	25.2
6-25	8	34.0

### PV2 Sampling Valve-Threded


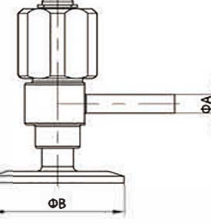
### PV2-031

Size	A	B
6-1/4	8	BSP1/4
6-3/8	8	BSP3/8
6-1/2	8	BSP1/2
6-5/8	8	BSP5/8

### PV2 Sampling Valve-Clamp


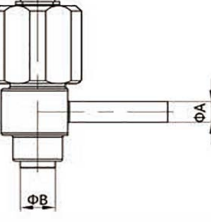
### PV2-032

Size	A	B
6	8	50.5

### PV2 Sampling Valve-Welded

### PV2-033

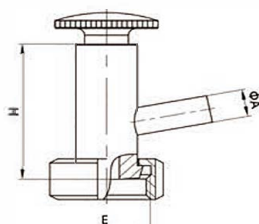
Size	A	B
6	8	12
6	8	13
6	8	18





### PV3 Sampling Valve-Union

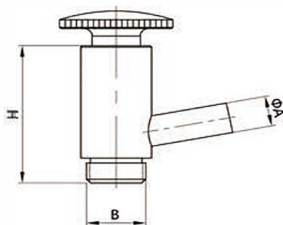
### PV3-036



Size	A	B	H
8-10	10	Rd28×1/8"	60
8-15	10	Rd34×1/8"	60
8-20	10	Rd44×1/6"	60
10-10	12	Rd28×1/8"	60
10-15	12	Rd34×1/8"	60
10-20	12	Rd44×1/6"	60
12-10	14	Rd28×1/8"	60
12-15	14	Rd34×1/8"	60
12-20	14	Rd44×1/6"	60

### PV3 Sampling Valve-Threaded

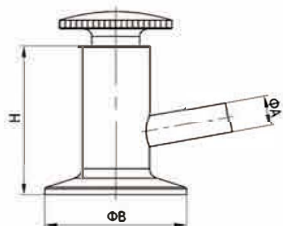
### PV3-031



Size	A	B	H
8-3/8"	10	BSP3/8	55
8-1/2"	10	BSP1/2	55
10-3/8"	12	BSP3/8	55
10-1/2"	12	BSP1/2	55
12-3/8"	14	BSP3/8	55
12-1/2"	14	BSP1/2	55

### PV3 Sampling Valve-Clamp

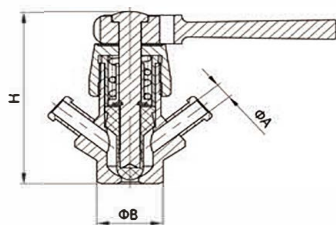
### PV3-032



Size	A	B	H
8-25	10	25.2	60
8-34	10	34.0	60
8-50	10	50.5	60
8-64	10	64.0	60
10-25	12	25.2	60
10-34	12	34.0	60
10-50	12	50.5	60
10-64	12	64.0	60
12-25	14	25.2	60
12-34	14	34.0	60
12-50	14	50.5	60
12-64	14	64.0	60

### Manual Aseptic Sampling Valve-Welded

### PW1-0R3



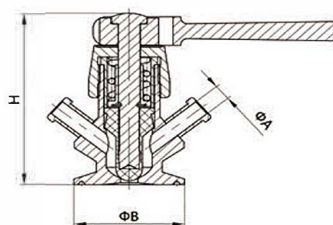
Size	A	B	H
8	8	30	88.7
10	10	30	88.7





### Manual Aseptic Sampling Valve-Clamp

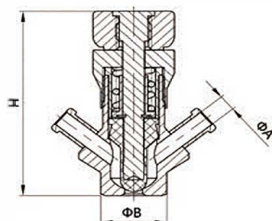
PW1-0R2



Size	A	B	H
8-34	8	34.0	88.7
8-50	8	50.5	88.7
8-64	8	64.0	88.7
10-34	10	34.0	88.7
10-50	10	50.5	88.7
10-64	10	64.0	88.7

### Manual Aseptic Sampling Valve-Welded

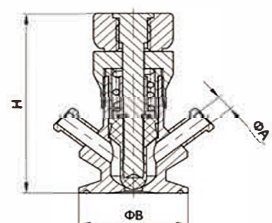
PW10-0R3



Size	A	B	H
8	8	30	95
10	10	30	95

### Manual Aseptic Sampling Valve-Clamp

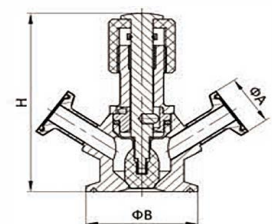
PW10-0R2



Size	A	B	H
8-34	8	34.0	95
8-50	8	50.5	95
8-64	8	64.0	95
10-34	10	34.0	95
10-50	10	50.5	95
10-64	10	64.0	95

### Manual Aseptic Sampling Valve-Clamp

PW3-022



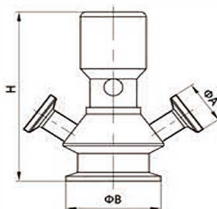
Size	A	B	H
1/2"-34	25	34.0	91.6
1/2"-50	25	50.5	91.6
1/2"-64	25	64.0	91.6





### Pneumatic Aseptic Sampling Valve-Clamp

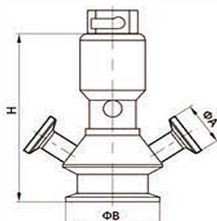
PW2-002



Size	A	B	H
1/2"-34	25	34.0	100
1/2"-50	25	50.5	100
1/2"-64	25	64.0	100

### Manual / Pneumatic Aseptic Sampling Valve-Clamp

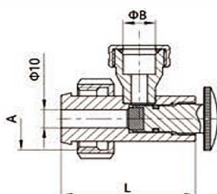
PW2-003



Size	A	B	H
1/2"-34	25	34.0	100
1/2"-50	25	50.5	100
1/2"-64	25	64.0	100

### Upper Liquidometer-Union

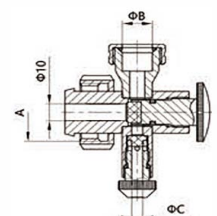
PL1-005



Size	A	B	L
16	Rd34×1/8"	16	66
19	Rd34×1/8"	19	66
20	Rd34×1/8"	20	66

### Lower Liquidometer-Union

PW1-006



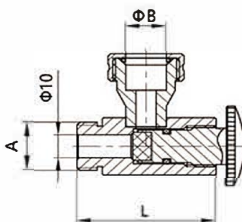
Size	A	B	C
16	Rd34×1/8"	16	6
19	Rd34×1/8"	19	6
20	Rd34×1/8"	20	6





### Up Level Gauge-BSP

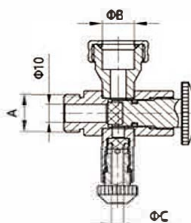
PL1-001



Size	A	B	H
3/8-16	BSP3/8	16	55
1/2-16	BSP1/2	16	55
3/8-19	BSP3/8	19	55
1/2-19	BSP1/2	19	55
3/8-20	BSP3/8	20	55
1/2-20	BSP1/2	20	55

### Lower Level Gauge-BSP

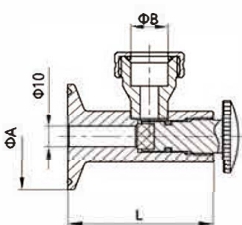
PL1-002



Size	A	B	C
3/8-16	BSP3/8	16	6
1/2-16	BSP1/2	16	6
3/8-19	BSP3/8	19	6
1/2-19	BSP1/2	19	6
3/8-20	BSP3/8	20	6
1/2-20	BSP1/2	20	6

### Up Level Gauge-Clamp

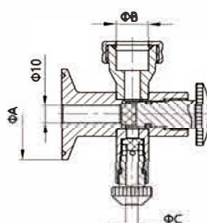
PL1-003



Size	A	B	C
25-16	25.0	16	6
34-16	34.0	16	6
50-16	50.5	16	6
25-19	25.0	19	6
34-19	34.0	19	6
50-19	50.5	19	6
25-20	25.0	20	6
34-20	34.0	20	6
50-20	50.5	20	6

### Lower Level Gauge-Clamp

PL1-004



Size	A	B	C
25-16	25.0	16	6
34-16	34.0	16	6
50-16	50.5	16	6
25-19	25.0	19	6
34-19	34.0	19	6
50-19	50.5	19	6
25-20	25.0	20	6
34-20	34.0	20	6
50-20	50.5	20	6

