



Sanitary ball valve





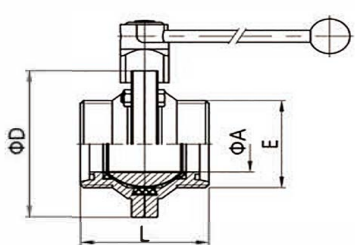
Technical data	
Standard	DIN, 3A, SMS, RJT, ISO, IDF, DS, Macon, GB
Size	1" - 6" DN10-DN200 17.2-168.3
Material grade	304, 304L, 316, 316L (Forging)
Seal material	EPDM, PTFE
Roughness	1. Ra ≤ 1.6 μm
	2. Ra < 0.8 μm
	3. Ra ≤ 0.4 (Polished)





Butterfly Type Ball Valve-DIN-Male/Male

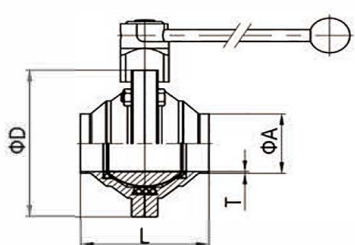
QF7.111



Size	A	D	E	L
25	26/25	94	Rd52×1/6"	72
32	32/31	97	Rd58×1/6"	76
40	38/37	114	Rd65×1/6"	84
50	50/49	131	Rd78×1/6"	98
65	66	158	Rd95×1/6"	120
80	81	181	Rd110×1/4"	140
100	100	209	Rd130×1/4"	164

Butterfly Type Ball Valve-DIN-Weld/Weld

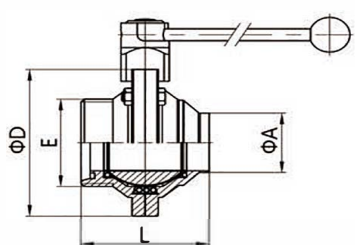
QF7.133



Size	A	T	D	L
25	29/28	1.5	94	72
32	35/34	1.5	97	76
40	41/40	1.5	114	84
50	53/52	1.5	131	98
65	70	2.0	158	120
80	85	2.0	181	140
100	104	2.0	209	164

Butterfly Type Ball Valve-DIN-Male/Weld

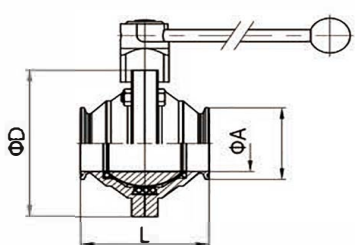
QF7.113



Size	A	D	E	L
25	29/28	94	Rd52×1/6"	72
32	35/34	97	Rd58×1/6"	76
40	41/40	114	Rd65×1/6"	84
50	53/52	131	Rd78×1/6"	98
65	70	158	Rd95×1/6"	120
80	85	181	Rd110×1/4"	140
100	104	209	Rd130×1/4"	164

Butterfly Type Ball Valve-DIN-Clamp/Clamp

QF7.122



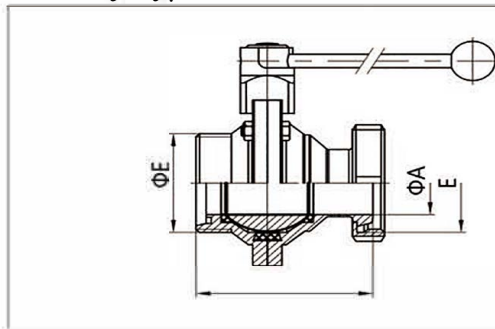
Size	A	B	D	L
25	26/25	50.5	94	72
32	32/31	50.5	97	76
40	38/37	50.5	114	84
50	50/49	64.0	131	98
65	66	91.0	158	120
80	81	106.0	181	140
100	100	119.0	209	164





Butterfly Type Ball Valve-DIN-Female/Male

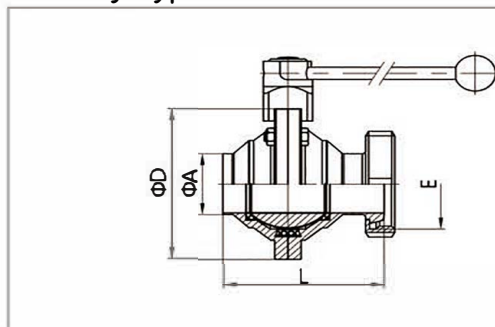
QF7.116



Size	A	D	E	L
25	26/25	94	Rd52×1/6"	94
32	32/31	97	Rd58×1/6"	101
40	38/37	114	Rd65×1/6"	110
50	50/49	131	Rd78×1/6"	126
65	66	158	Rd95×1/6"	152
80	81	181	Rd110×1/4"	177
100	100	209	Rd130×1/4"	208

Butterfly Type Ball Valve-DIN-Female/Weld

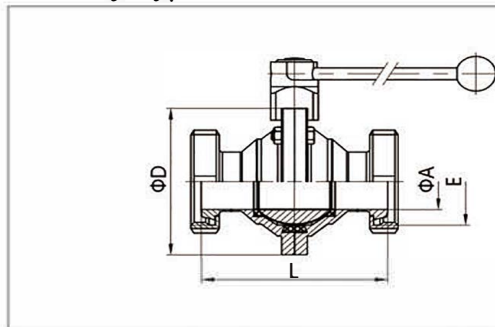
QF7.136



Size	A	D	E	L
25	29/28	94	Rd52×1/6"	94
32	35/34	97	Rd58×1/6"	101
40	41/40	114	Rd65×1/6"	110
50	53/52	131	Rd78×1/6"	126
65	70	158	Rd95×1/6"	152
80	85	181	Rd110×1/4"	177
100	104	209	Rd130×1/4"	208

Butterfly Type Ball Valve-DIN-Female/Female

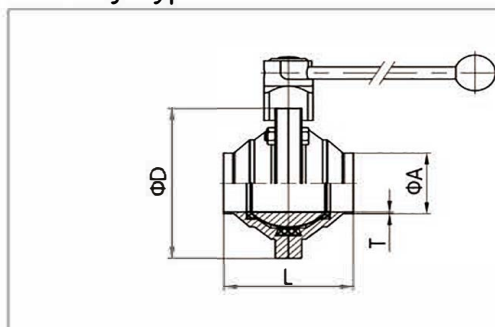
QF7.166



Size	A	D	E	L
25	26/25	94	Rd52×1/6"	116
32	32/31	97	Rd58×1/6"	126
40	38/37	114	Rd65×1/6"	136
50	50/49	131	Rd78×1/6"	154
65	66	158	Rd95×1/6"	184
80	81	181	Rd110×1/4"	214
100	100	209	Rd130×1/4"	252

Butterfly Type Ball Valve-INCH-Weld/Weld

QF7.333



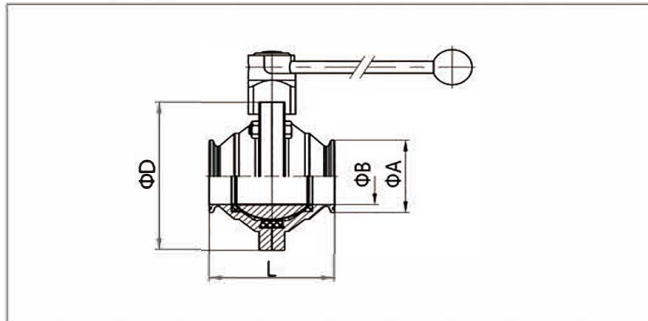
Size	A	T	D	L
1"	25.4	1.65	94	72
1 1/4"	31.8	1.65	97	76
1 1/2"	38.1	1.65	114	84
2"	50.8	1.65	131	98
2 1/2"	63.5	1.65	158	120
3"	76.2	1.65	181	140
4"	101.6	2.10	209	164





Butterfly Type Ball Valve-INCH-Clamp/Clamp

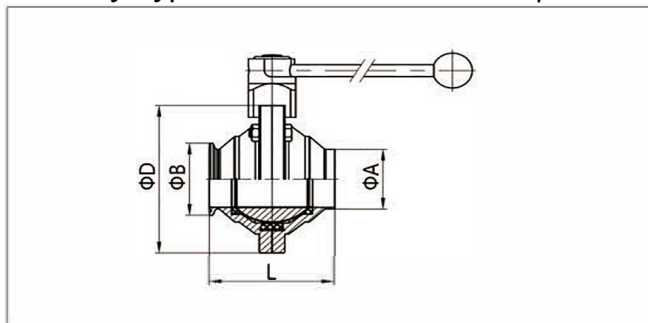
QF7.322



Size	A	B	D	L
1"	50.5	22.1	94	72
1 1/4"	50.5	28.5	97	76
1 1/2"	50.5	34.8	114	84
2"	64.0	48.5	131	98
2 1/2"	77.5	60.2	158	120
3"	91.0	72.9	181	140
4"	119.0	97.4	209	164

Butterfly Type Ball Valve-INCH-Clamp/Weld

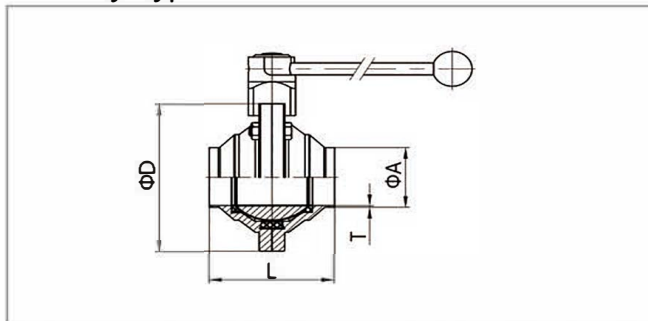
QF7.323



Size	A	B	D	L
1"	25.4	50.5	94	72
1 1/4"	31.8	50.5	97	76
1 1/2"	38.1	50.5	114	84
2"	50.8	64.0	131	98
2 1/2"	63.5	77.5	158	120
3"	76.2	91.0	181	140
4"	101.6	119.0	209	164

Butterfly Type Ball Valve-SMS-Weld/Weld

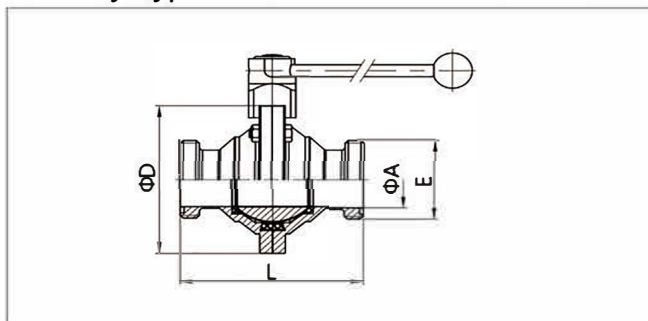
QF7.233



Size	A	T	D	L
25	25.4	1.65	94	72
32	31.8	1.65	97	76
38	38.1	1.65	114	84
51	50.8	1.65	131	98
63.5	63.5	1.65	158	120
76	76.2	1.65	181	140
101.6	101.6	2.10	209	164
104	104.0	2.00	209	164

Butterfly Type Ball Valve-SMS-Male/Male

QF7.211



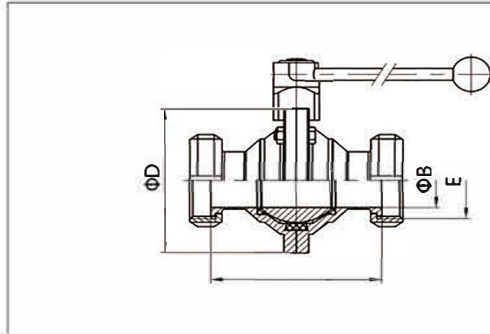
Size	A	D	E	L
25	22.1	94	Rd40×1/6"	110
32	28.5	97	Rd48×1/6"	116
38	34.8	114	Rd60×1/6"	130
51	48.5	131	Rd70×1/6"	144
63.5	60.2	158	Rd85×1/6"	174
76	72.9	181	Rd98×1/6"	194
101.6	97.4	209	Rd132×1/6"	234
104	100.0	209	Rd125×1/4"	224





Butterfly Type Ball Valve-SMS-Female/Female

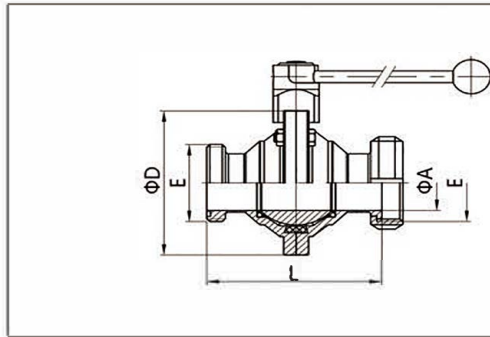
QF7.266



Size	A	D	E	L
25	22.1	94	Rd40×1/6"	102
32	28.5	97	Rd48×1/6"	106
38	34.8	114	Rd60×1/6"	124
51	48.5	131	Rd70×1/6"	138
63.5	60.2	158	Rd85×1/6"	168
76	72.9	181	Rd98×1/6"	188
101.6	97.4	209	Rd132×1/6"	224
104	100.0	209	Rd125×1/4"	224

Butterfly Type Ball Valve-SMS-Male/Female

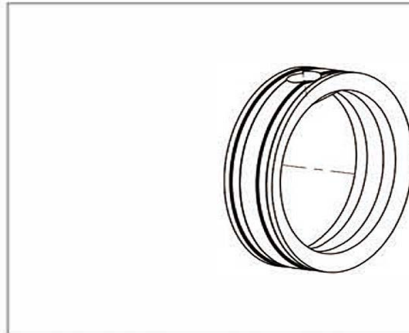
QF7.216



Size	A	D	E	L
25	22.1	94	Rd40×1/6"	106
32	28.5	97	Rd48×1/6"	111
38	34.8	114	Rd60×1/6"	127
51	48.5	131	Rd70×1/6"	141
63.5	60.2	158	Rd85×1/6"	171
76	72.9	181	Rd98×1/6"	191
101.6	97.4	209	Rd132×1/6"	229
104	100.0	209	Rd125×1/4"	224

Butterfly Type Ball Valve-Seal

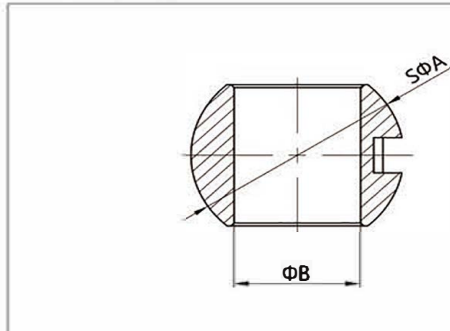
QF7.001



Size	ID	EPDM	SI	FPM	NBR
25	26				
32	32				
40	38				
50	50				
65	66				
80	81				
100	100				

Butterfly Type Ball Valve-Ball

QF7.002



Size	A	B
25	41.0	26
32	50.0	32
40	60.0	38
50	76.5	50
65	100.0	66
80	122.0	81
100	150.0	100

