



Sanitary butterfly valve

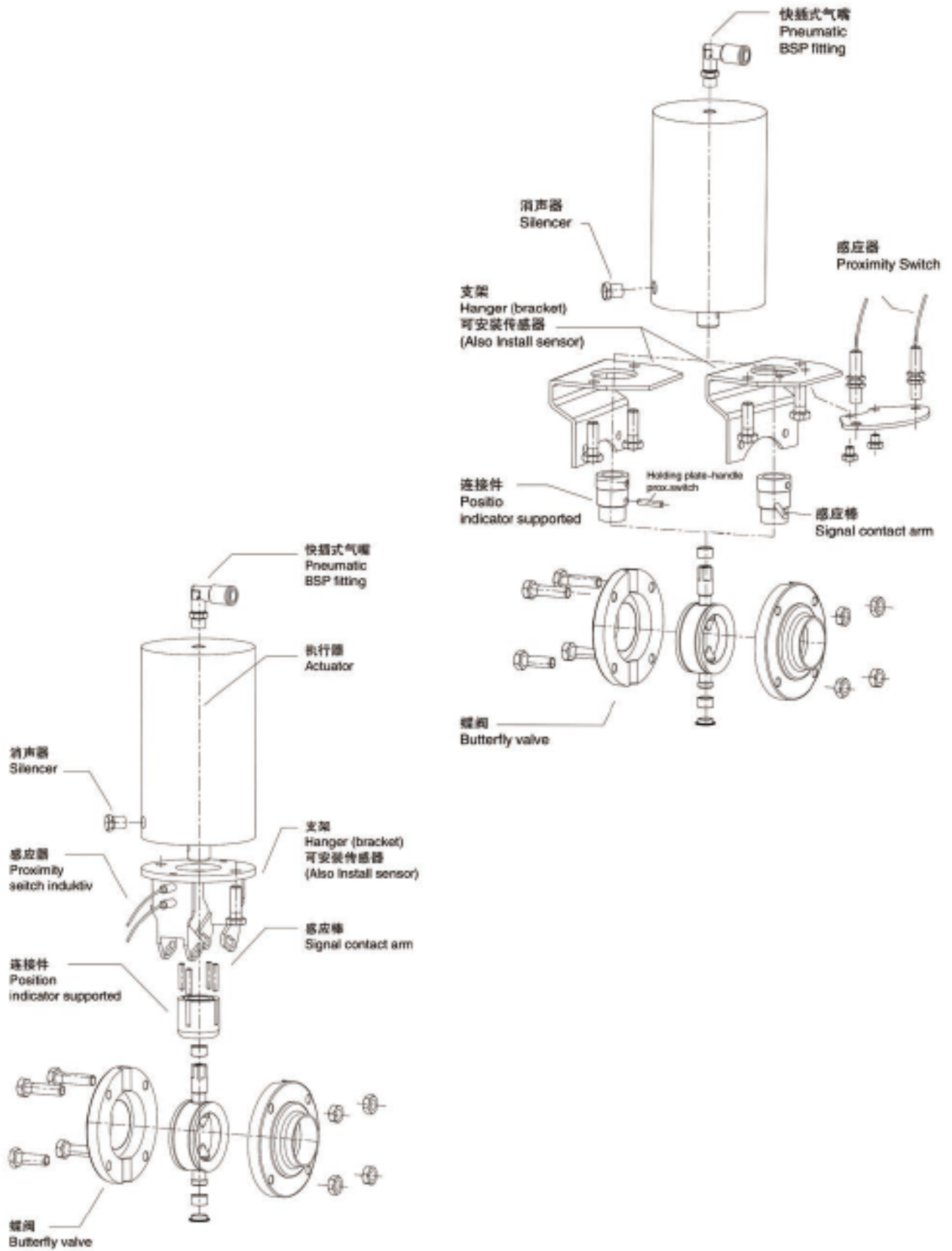




Technical data

Material	Contact product parts	304L/316L (1.4307/1.4404)
	non-contact product parts	304L/316L (1.4307/1.4404) forged 304(1.4301)
	EN 10204 3.1 B Provide E N 10204 3.1B certificate	
Seal material	standard	EPDM
	option	FPM, Silicone, NBR
	FDA 177.2600 All seal materials comply with FDA 177 .2600	
Temperature	Working temperature	-20~+135°C (EPDM)
	Sterilization temperature	150°C (MAX 20min)
Pressure	Working pressure	0~10bar
	Control air pressure	5~8bar
Surface treatment	Internal surface	R≤0.8μm
	External surface	R≤1.6μm
Connection	Connection standard	welded end: DIN 11850 series0, 2 welded end: INCH pipe standar
	Connection method: welding, thread,	clamp, flange
Option	Intelligent controller	24V DC 1/2 electromagnetism valve
	Position sensor	24V DC 2 NPN/PNPposition sensor



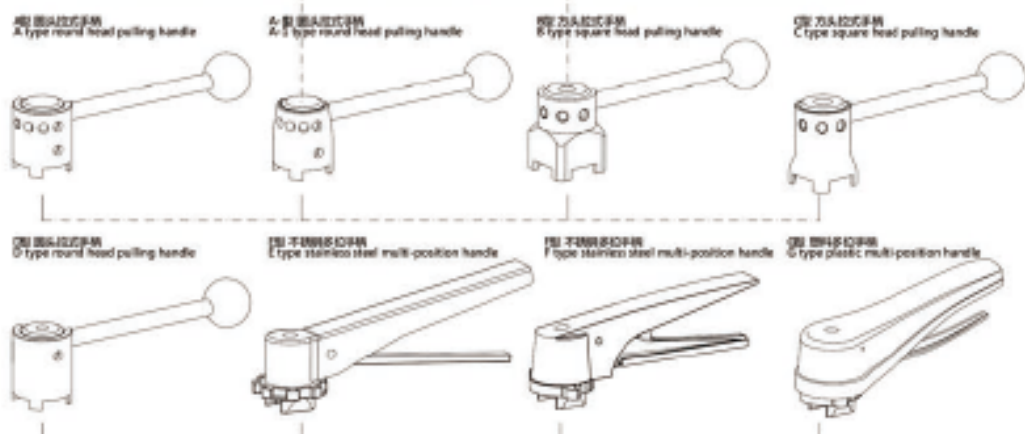
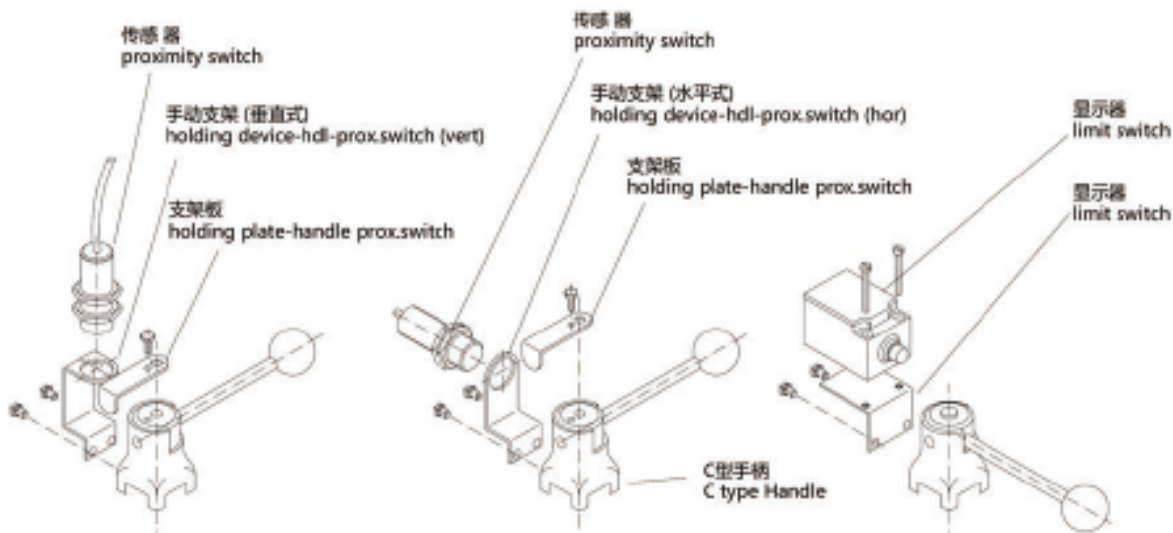




butterfly valve handle-standard with prox.switch vertical

butterfly valve handle-standard with prox.switch horizontal

butterfly valve handle-standard with limit switch

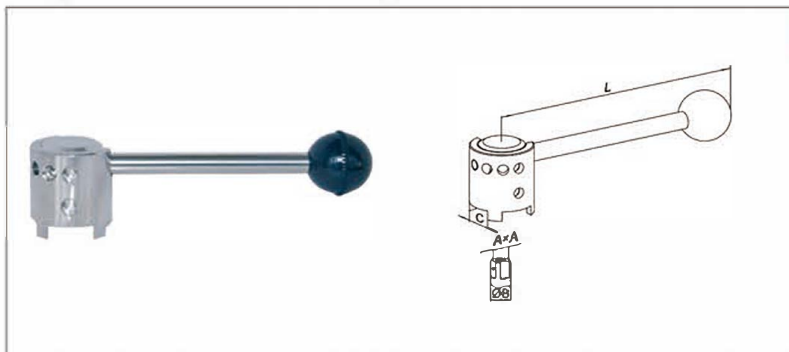


阀体组合形式
 Connection type of valve body





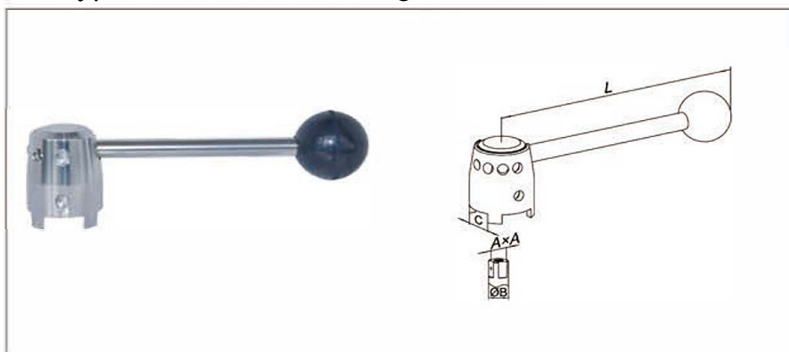
A Type Round Head Pulling Handle



Size	A	B	C	L	
DN25~DN65	1.0"~3.0"	10×10	12.5	20	138
DN80~DN100	4.0"	10×10	12.5	20	160
DN125~DN200	5.0"~8.0"	12×12	15.0	30	220

Adjusting: 2 position, 3 position, 4 position used for butterfly valve

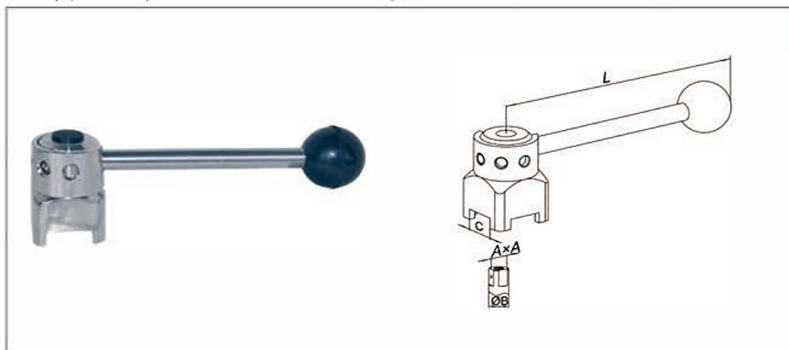
A-1 Type Round Head Pulling Handle



Size	A	B	C	L	
DN25~DN65	1.0"~3.0"	10×10	12.5	20	138
DN80~DN100	4.0"	10×10	12.5	20	160

Adjusting: 2 position, 3 position, 4 position used for butterfly valve

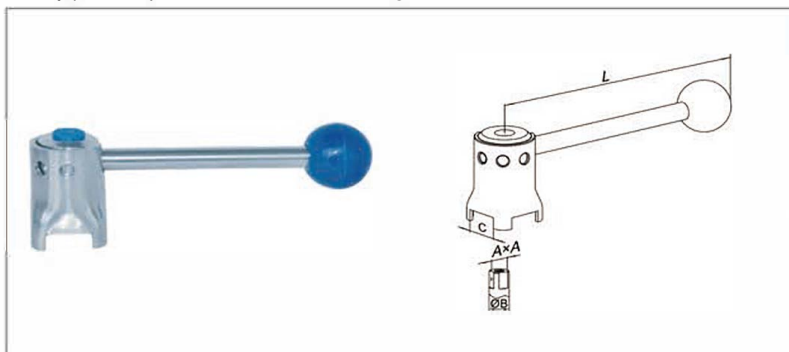
B Type Square Head Pulling Handle



Size	A	B	C	L	
DN25~DN65	1.0"~3.0"	10×10	12.5	20	140
DN80~DN100	4.0"	10×10	12.5	20	155
DN125~DN200	5.0"~8.0"	12×12	15.0	30	190

Adjusting: 2 position, 2 position, 2 position used for butterfly valve

C Type Square Head Pulling Handle



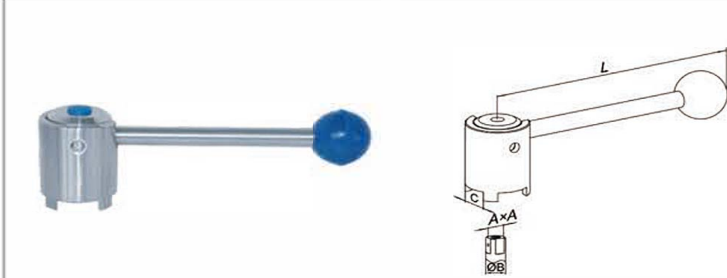
Size	A	B	C	L	
DN25~DN65	1.0"~3.0"	10×10	12.5	20	140
DN80~DN100	4.0"	10×10	12.5	20	155
DN125~DN200	5.0"~8.0"	12×12	15.0	30	190

Adjusting: 2 position, 2 position, 2 position used for butterfly valve





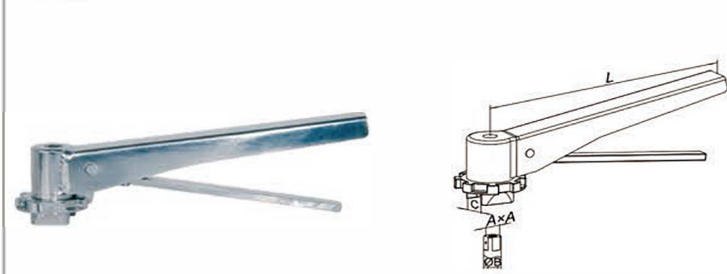
D Type Round Head Pulling Handle



Size	A	B	C	L	
DN25~DN65	1.0"~3.0"	10×10	12.5	20	138
DN80~DN100	4.0"	10×10	12.5	20	160

Adjusting: 2 position, 3 position, 4 position used for butterfly valve

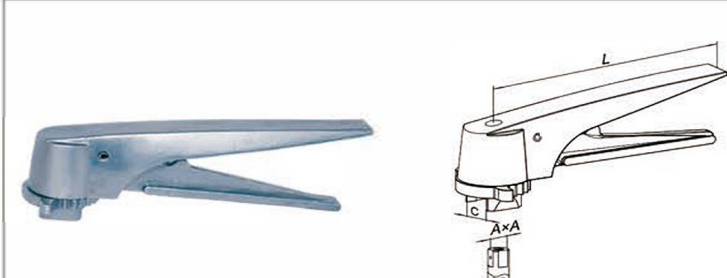
E Type Stainless Steel Multi-Position Handle



Size	A	B	C	L	
DN25~DN65	1.0"~3.0"	10×10	12.5	20	150
DN80~DN100	4.0"	10×10	12.5	20	170

Adjusting: adjustmet 45°, 8 position used for butterfly valve

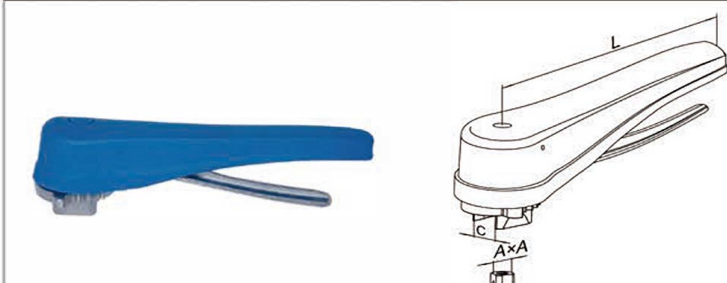
F Type Stainless Steel Multi-Position Handle



Size	A	B	C	L	
DN25~DN50	1.0"~2.5"	10×10	12.5	20	140
DN65~DN100	3.0"~4.0"	10×10	12.5	20	160

Adjusting: adjustmet 15°, 13 position used for butterfly valve

G Type Plastic Multi-Position Handle



Size	A	B	C	L	
DN25~DN50	1.0"~2.5"	10×10	12.5	20	145
DN65~DN100	3.0"~4.0"	10×10	12.5	20	165


Adjusting: adjustmet 15°, 13 position used for butterfly valve

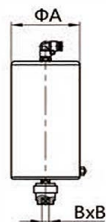




Actuator-Pneum.-Air/spring

BV6.001




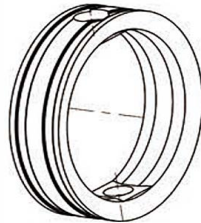


Size	A	BxB
25-100	85	10x10
125-150	133	12x12

DIN

BV6.111




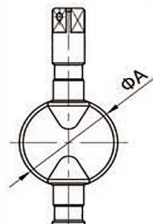


Size	ID	EPDM	SI	FPM	NBR
25	26				
32	32				
40	38				
50	50				
65	66				
80	81				
100	100				
125	125				
150	150				

Disc-DIN

BV6.122




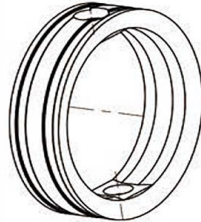


Size	A
25	26.0
32	32.0
40	38.0
50	50.0
65	66.0
80	80.6
100	100.0
125	125.0
150	150.0

Butterfly Valve Seal-INCH

BV6.005






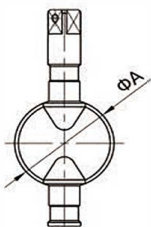
Size	ID	EPDM	SI	FPM	NBR
1.0	22.5				
1.25	32.0				
1.5	35.5				
2.0	48.5				
2.5	60.5				
3.0	72.5				
4.0	100.0				






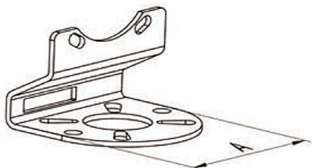
Disc-INCH

BV6.133U

		Size	
		Size	A
		1.0	22.5
		1.25	32.0
		1.5	35.5
		2.0	48.5
		2.5	60.5
		3.0	72.9
		4.0	100.0


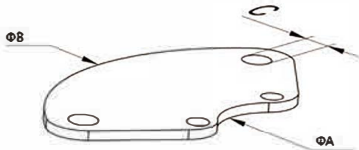
Mounting Kit

BV6.002

		Size	
		Size	A
		25	85
		32	85
		40	85
		50	85
		65	85
		80	85
		100	85
		125	133
		150	133


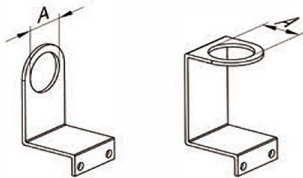
Sensor Kit

BV6.011

		Size			
		Size	A	B	C
		25-100	67	73.4	18.3/12.3

Sensor Kit

BV6.122

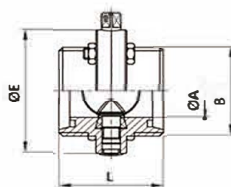
		Size	
		Size	A
		25-100	18.3/12.3





Butterfly Valve-DIN-Male/Male

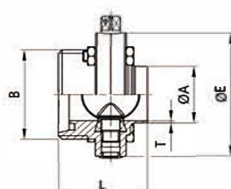
BV6.111



Size	A	B	E	L
10	9/10	Rd 28×1/8"	69	56
15	15/16	Rd 34×1/8"	69	56
20	19/20	Rd 44×1/6"	76	66
25	25/26	Rd 52×1/6"	79	66
32	31/32	Rd 58×1/6"	85	66
40	37/38	Rd 65×1/6"	90	68
50	49/50	Rd 78×1/6"	108	70
65	66	Rd 95×1/6"	127	72
80	81	Rd 110×1/4"	142	92
100	100	Rd 130×1/4"	162	96
125	125	Rd 160×1/4"	191	106
150	150	Rd 190×1/4"	240	120

Butterfly valve-DIN-Male/Welding End

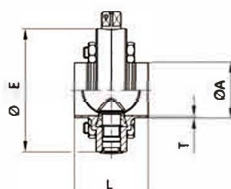
BV6.113



Size	A	B	E	L	T
10	12/13	Rd 28×1/8"	69	50	1.5
15	18/19	Rd 34×1/8"	69	50	1.5
20	22/23	Rd 44×1/6"	76	55	1.5
25	28/29	Rd 52×1/6"	79	55	1.5
32	34/35	Rd 58×1/6"	85	55	1.5
40	40/41	Rd 65×1/6"	90	59	1.5
50	52/53	Rd 78×1/6"	108	60	1.5
65	70	Rd 95×1/6"	127	61	2.0
80	85	Rd 110×1/4"	142	76	2.0
100	104	Rd 130×1/4"	162	80	2.0
125	129	Rd 160×1/4"	191	88	2.0
150	154	Rd 190×1/4"	240	100	2.0

Butterfly Valve-DIN-Welding Ends

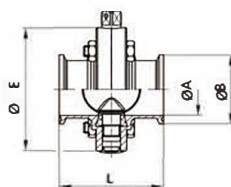
BV6.133



Size	A	T	E	L
10	12/13	1.5	69	44
15	18/19	1.5	69	44
20	22/23	1.5	76	44
25	28/29	1.5	79	44
32	34/35	1.5	85	44
40	40/41	1.5	90	50
50	52/53	1.5	108	50
65	70	2.0	127	50
80	85	2.0	142	60
100	104	2.0	162	64
125	129	2.0	191	70
150	154	2.0	240	80

Butterfly Valve-DIN-CC

BV6.122



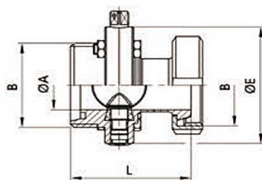
Size	A	B	E	L
10	9/10	34.0	69	56
15	15/16	34.0	69	56
20	19/20	34.0	76	66
25	25/26	50.5	79	66
32	31/32	50.5	85	66
40	37/38	50.5	90	68
50	49/50	64.0	108	70
65	66	91.0	127	72
80	81	106.0	142	92
100	100	119.0	162	96
125	125	155.0	191	106
150	150	183.5	240	120





Butterfly Valve DIN-Male/Female

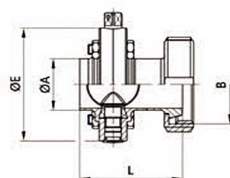
BV6.116



Size	A	B	E	L
10	9/10	Rd28×1/8"	69	67
15	15/16	Rd34×1/8"	69	67
20	19/20	Rd44×1/6"	76	73
25	25/26	Rd52×1/6"	79	77
32	31/32	Rd58×1/6"	85	80
40	37/38	Rd65×1/6"	90	85
50	49/50	Rd78×1/6"	108	88
65	66	Rd95×1/6"	127	93
80	81	Rd110×1/4"	142	113
100	100	Rd130×1/4"	162	125
125	125	Rd160×1/4"	191	122
150	150	Rd190×1/4"	240	137

Butterfly Valve DIN-Weld/Female

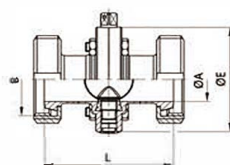
BV6.136



Size	A	B	E	L
10	12/13	Rd 28×1/8"	69	61
15	18/19	Rd 34×1/8"	69	61
20	22/23	Rd 44×1/6"	76	62
25	28/29	Rd 52×1/6"	79	66
32	34/35	Rd 58×1/6"	85	69
40	40/41	Rd 65×1/6"	90	76
50	52/53	Rd 78×1/6"	108	78
65	70	Rd 95×1/6"	127	82
80	85	Rd 110×1/4"	142	97
100	104	Rd 130×1/4"	162	108
125	129	Rd 160×1/4"	191	104
150	154	Rd 190×1/4"	240	117

Butterfly Valve DIN-Female/Female

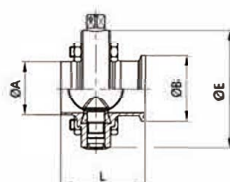
BV6.166



Size	A	B	E	L
10	9/10	Rd 28×1/8"	69	78
15	15/16	Rd 34×1/8"	69	78
20	19/20	Rd 44×1/6"	76	80
25	25/26	Rd 52×1/6"	79	88
32	31/32	Rd 58×1/6"	85	94
40	37/38	Rd 65×1/6"	90	102
50	49/50	Rd 78×1/6"	108	106
65	66	Rd 95×1/6"	127	114
80	81	Rd 110×1/4"	142	134
100	100	Rd 130×1/4"	162	152
125	125	Rd 160×1/4"	191	138
150	150	Rd 190×1/4"	240	154

Butterfly Valve DIN-Weld/Clamp

BV6.123



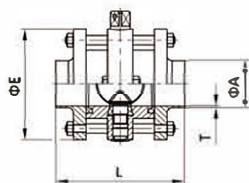
Size	A	B	E	L
10	12/13	34.0	69	50
15	18/19	34.0	69	50
20	22/23	34.0	76	55
25	28/29	50.5	79	55
32	34/35	50.5	85	55
40	40/41	50.5	90	59
50	52/53	64.0	108	60
65	70	91.0	127	61
80	85	106.0	142	76
100	104	119.0	162	80
125	129	155.0	191	88
150	154	183.0	240	100





Butterfly Valve-DIN-Btw.flangers

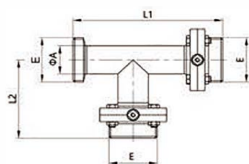
BV6.155



Size	A	T	E	L
25	25/26	1.5	79	100
32	31/32	1.5	85	100
40	37/38	1.5	90	100
50	49/50	1.5	108	110
65	70	2.0	127	114
80	85	2.0	142	130
100	104	2.0	162	135

T-Butterfly Valve-DIN-Male Ends "E"

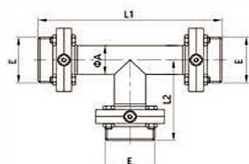
BV6.1TE



Size	A	E	L1	T	L2
25	29	Rd 52×1/6"	135	1.5	82
32	35	Rd 58×1/6"	160	1.5	90
40	41	Rd 65×1/6"	190	1.5	110
50	53	Rd 78×1/6"	215	1.5	120
65	70	Rd 95×1/6"	238	2.0	132
80	85	Rd 110×1/4"	260	2.0	150
100	104	Rd 130×1/4"	280	2.0	170

T-Butterfly Valve-DIN-Male Ends "F"

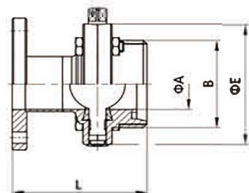
BV6.1TF



Size	A	E	L1	T	L2
25	29	Rd 52×1/6"	166	1.5	82
32	35	Rd 58×1/6"	190	1.5	90
40	41	Rd 65×1/6"	230	1.5	110
50	53	Rd 78×1/6"	250	1.5	120
65	70	Rd 95×1/6"	270	2.0	132
80	85	Rd 110×1/4"	300	2.0	150
100	104	Rd 130×1/4"	330	2.0	170

Butterfly Valve-DIN-Male/Flange Np1 0

BV6.117



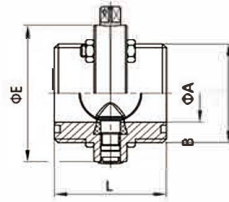
Size	A	B	E	L
25	26	Rd 52×1/6"	79	106
32	32	Rd 58×1/6"	85	106
40	38	Rd 65×1/6"	90	110
50	50	Rd 78×1/6"	108	112
65	66	Rd 95×1/6"	127	122
80	81	Rd 110×1/4"	142	135
100	100	Rd 130×1/4"	162	140





Butterfly Valve-SMS-Male/Male

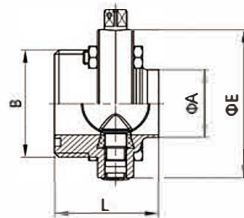
BV6.211



Size	A	B	E	L
25	22.4	Rd 40×1/6"	76	66
32	28.8	Rd 48×1/6"	85	66
38	35.1	Rd 60×1/6"	85	72
51	47.8	Rd 70×1/6"	100	76
63.5	60.5	Rd 85×1/6"	115	80
76.1	72.9	Rd 98×1/6"	127	80
100.6	97.6	Rd 125×1/4"	162	94

Butterfly Valve-SMS-Male/Welding End

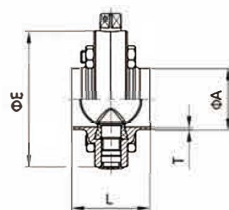
BV6.213



Size	A	B	E	L
25	25.4	Rd 40×1/6"	76	55
32	31.8	Rd 48×1/6"	85	55
38	38.1	Rd 60×1/6"	85	58
51	50.8	Rd 70×1/6"	100	63
63.5	63.5	Rd 85×1/6"	115	65
76.1	76.2	Rd 98×1/6"	127	68
101.6	101.6	Rd 125×1/4"	162	77

Butterfly Valve-INCH-Welding Ends

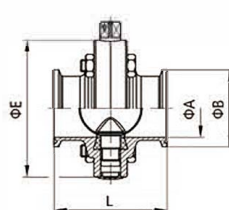
BV6.333



Size	A	T	E	L
25	25.4	1.50	76	44
32	31.8	1.50	85	44
38	38.1	1.50	85	44
51	50.8	1.50	100	50
63.5	63.5	1.50	115	50
76.1	76.2	1.65	127	56
101.6	101.6	2.00	162	60

Butterfly Valve-INCH-CC

BV6.322



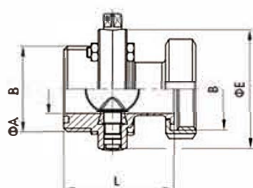
Size	A	B	E	L
25	22.4	50.5	76	66
32	28.7	50.5	85	66
38	35.1	50.5	85	72
51	47.8	64.0	100	76
63.5	60.5	77.5	115	80
76.1	72.9	91.0	127	80
101.6	97.6	119.0	162	94





Butterfly Valve SMS Male/Female

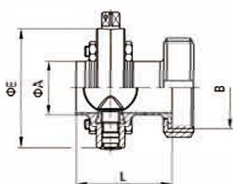
BV6.216



Size	A	B	E	L
25	22.4	Rd 40×1/6"	76	70.5
32	28.7	Rd 48×1/6"	85	70
38	35.1	Rd 60×1/6"	85	74
51	47.8	Rd 70×1/6"	100	80
63.5	60.5	Rd 85×1/6"	115	82
76.1	72.9	Rd 98×1/6"	127	87
101.6	97.6	Rd 125×1/4"	162	96

Butterfly Valve SMS Weld/Female

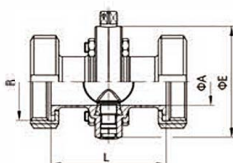
BV6.236



Size	A	B	E	L
25	25.4	Rd 40×1/6"	76	59.5
32	31.8	Rd 48×1/6"	85	59
38	38.1	Rd 60×1/6"	85	60
51	50.8	Rd 70×1/6"	100	67
63.5	63.5	Rd 85×1/6"	115	67
76.1	76.2	Rd 98×1/6"	127	75
101.6	101.6	Rd 125×1/4"	162	79

Buttly Valve SMS Female/Female

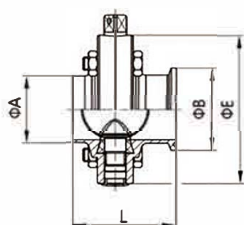
BV6.266



Size	A	B	E	L
25	22.4	Rd 40×1/6"	76	75
32	28.7	Rd 48×1/6"	85	74
38	35.1	Rd 60×1/6"	85	76
51	47.8	Rd 70×1/6"	100	89
63.5	60.5	Rd 85×1/6"	115	89
76.1	72.9	Rd 98×1/6"	127	94
101.6	97.6	Rd 125×1/4"	162	98

Butterfly Valve-INCH-Weld/Clamp

BV6.323



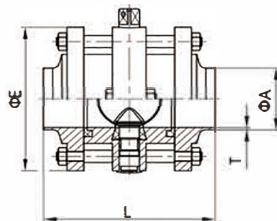
Size	A	B	E	L
25	25.4	50.5	76	55
32	31.8	50.5	85	55
38	38.1	50.5	85	58
51	50.8	64.0	100	63
63.5	63.5	77.5	115	65
76.1	76.2	91.0	127	68
101.6	101.6	119.0	162	77





Butterfly Valve-INCH-Btw.flangers

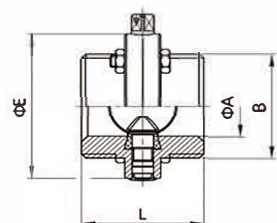
BV6.355



Size	A	T	E	L
25	25.4	1.50	76	100
32	31.8	1.50	85	100
38	38.1	1.50	85	100
51	50.8	1.50	100	110
63.5	63.5	1.50	115	114
76.1	76.2	1.65	127	130
101.6	101.6	2.00	162	135

Butterfly Valve-INCH-Male/Male

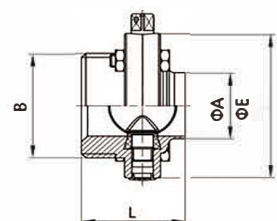
BV6.311



Size	A	B	E	L
1.0 "	22.1	37.13×8TP ACME	76	66
1.5 "	34.8	50.65×8TP ACME	85	72
2.0 "	47.5	64.16×8TP ACME	100	76
2.5 "	60.2	77.67×8TP ACME	115	80
3.0 "	72.9	91.19×8TP ACME	127	80
4.0 "	97.4	119.25×8TP ACME	162	94

Butterfly Valve INCH-Male/Welding End

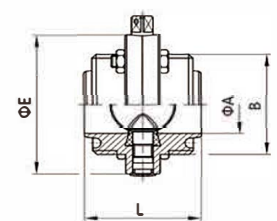
BV6.313



Size	A	B	E	L
1.0 "	25.4	37.13×8TP ACME	76	55
1.5 "	38.1	50.65×8TP ACME	85	58
2.0 "	50.8	64.16×8TP ACME	108	63
2.5 "	63.5	77.67×8TP ACME	115	65
3.0 "	76.2	91.19×8TP ACME	125	68
4.0 "	101.6	119.25×8TP ACME	162	77

Butterfly Valve RJT-Male/Male

BV6.411



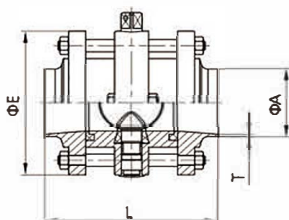
Size	A	B	E	L
1.0 "	22.1	45.72×8TP WHIT	76	74
1.5 "	34.8	58.42×8TP WHIT	85	74
2.0 "	47.5	72.72×8TP WHIT	108	76
2.5 "	60.2	85.45×8TP WHIT	115	80
3.0 "	72.9	98.12×8TP WHIT	125	80
4.0 "	97.6	123.52×8TP WHIT	162	94





Butterfly Valve-ISO-Btw.Flangers

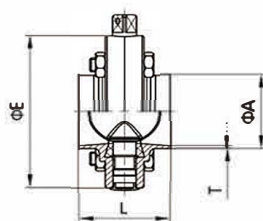
BV6.955



Size	A	T	E	L
33.7	33.7	2.0	76	100
42.4	42.4	2.0	85	100
48.3	48.3	2.0	100	100
60.3	60.3	2.0	115	110
76.1	76.1	2.3	127	130
101.6	114.3	2.6	162	135

Butterfly Valve-ISO-Welding Ends

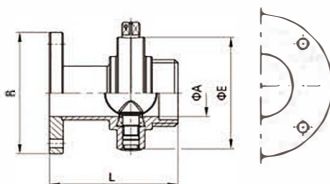
BV6.933



Size	A	T	E	L
33.7	33.7	2.0	76	44
42.4	42.4	2.0	85	44
48.3	48.3	2.0	100	44
60.3	60.3	2.0	115	50
76.1	76.1	2.3	127	56
114.3	114.3	2.6	162	60

Butterfly Valve-MACON-Male/Flange "C"

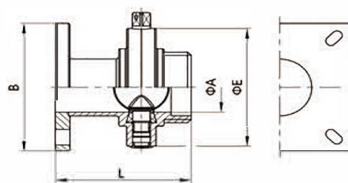
BV6.817



Size	A	B	E	L
40	40	130	95	80
50	50	140	105	80
60	60	160	115	82
70	70	160	125	82
80	80	190	135	86
100	100	210	155	86

Butterfly Valve-MACON-Male/Flange "A"

BV6.818A



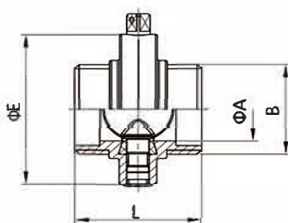
Size	A	B	E	L
40	40	100×100	95	80
50	50	100×100	105	80
60	60	120×120	115	82
70	70	120×120	125	82
80	80	140×140	135	86
100	100	140×140	155	86





Butterfly Valve-MACON-Male Ends

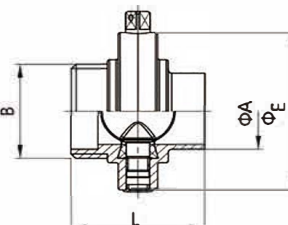
BV6.811



Size	A	B	E	L
40	40	M55×3.0	95	80
50	50	M67×3.0	105	80
60	60	M79×3.5	115	82
70	70	M90×3.5	125	82
80	80	M102×4.0	135	86
100	100	M125×4.0	155	86

Butterfly Valve-MACON-male/Welding End

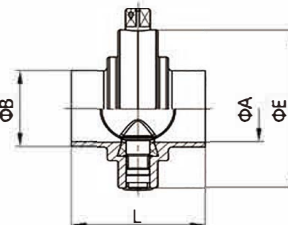
BV6.813



Size	A	B	E	L
40	43	M55×3.0	95	80
50	53	M67×3.0	105	80
60	63	M79×3.5	115	82
70	73	M90×3.5	125	82
80	83	M102×4.0	135	86
100	103	M125×4.0	155	86

Butterfly Valve-MACON-Welding End

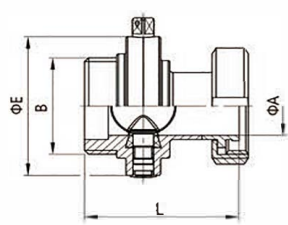
BV6.833



Size	A	B	E	L
40	40	43	95	80
50	50	53	105	80
60	60	63	115	82
70	70	73	125	82
80	80	83	135	86
100	100	103	155	86

Butterfly Valve Macon Male/Female

BV6.816



Size	A	B	E	L
40	40	M55×3.0	95	99.5
50	50	M67×3.0	105	99.5
60	60	M79×3.5	115	101.5
70	70	M90×3.5	125	101.5
80	80	M102×4.0	135	105.5
100	100	M125×4.0	155	105.5

